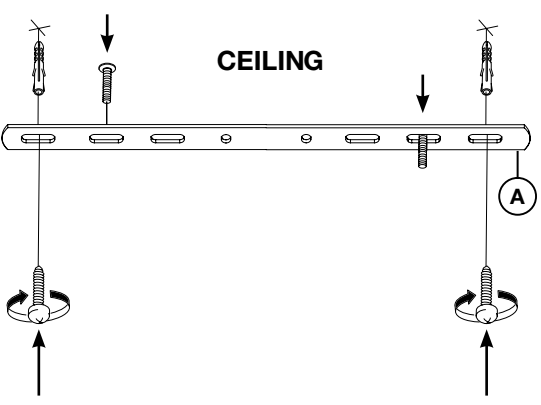
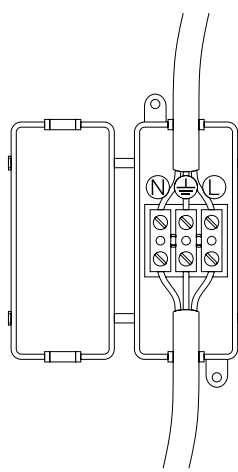
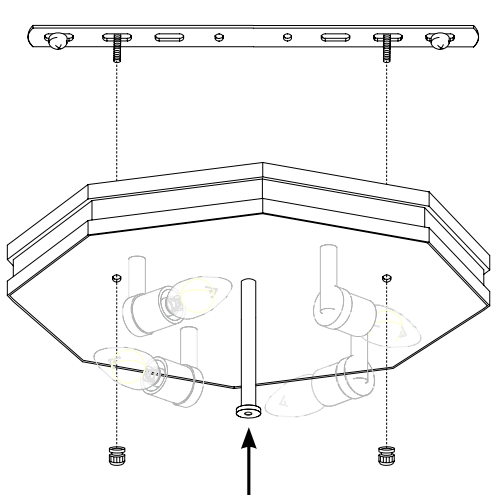
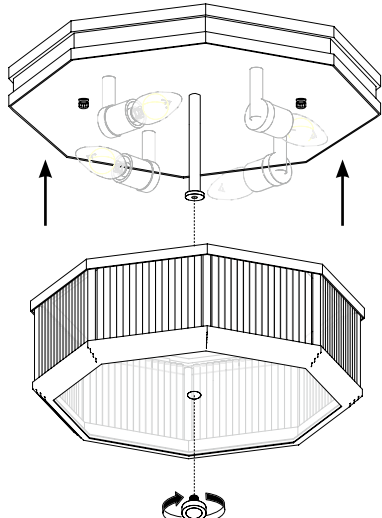
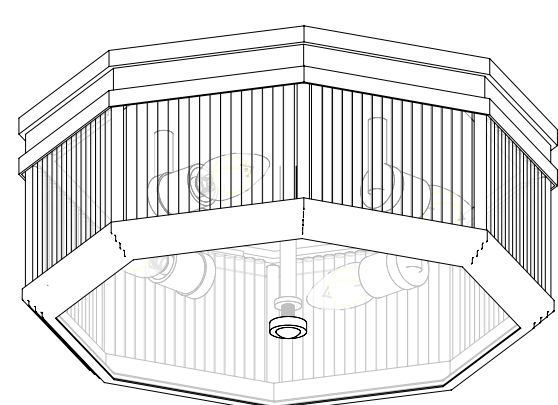




E I C H H O L T Z

112860 CEILING LAMP BAGATELLE

ASSEMBLY INSTRUCTION

<p><b>1</b></p>  <p>Diagram 1 shows a long metal ceiling bracket labeled 'A' being mounted to a ceiling. Two screws are shown being inserted into the ceiling through mounting plugs into the bracket. Below the bracket, two light bulbs are shown being inserted into the fixture's sockets.</p>	<p><b>2</b></p>  <p>Diagram 2 shows the internal wiring of the lamp. Three wires (brown, blue, and green/yellow) are connected to the terminal block inside the lamp housing. The brown wire is connected to the 'L' (Live) terminal, the blue wire to the 'N' (Neutral) terminal, and the green/yellow wire to the ground terminal.</p>
<p><b>3</b></p>  <p>Diagram 3 shows the lamp housing being attached to the ceiling bracket. Two nuts are shown being slid onto the screws that hold the bracket to the ceiling, securing the lamp housing in place.</p>	<p><b>4</b></p>  <p>Diagram 4 shows the lamp housing with the glass shade and finial being placed on top. The glass shade is shown being pushed onto the top of the lamp housing, and the finial is shown being placed on top of the glass shade.</p>
<p>Turn off the electricity supply at the main circuit panel before installing. Do not connect the electricity supply until your luminaire is fully assembled and installed.</p> <p>Fix the ceiling bracket (A) to the ceiling by using mounting plugs and screws suitable to your ceiling type.</p> <p>Connect the 3 power wires according to their colours. Brown is the live wire, blue is the neutral wire, green/yellow is the earth wire.</p> <p>Place the lamp over the ceiling bracket and secured it with two nuts.</p> <p>Place the bulbs.</p> <p>Place the glass and secure it with finial.</p>	<p><b>FINAL</b></p>  <p>Diagram 5 shows the final assembled lamp, a hexagonal ceiling lamp with a glass shade and finial, ready for use.</p>