

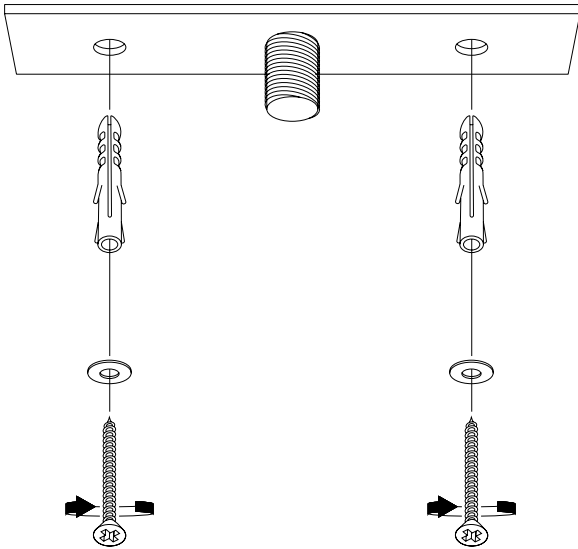


E I C H H O L T Z

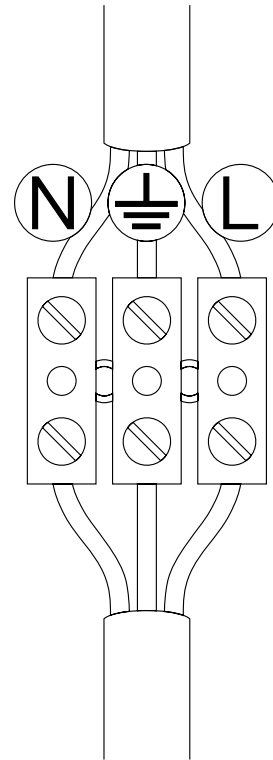
109133 CEILING LAMP KASBAH

ASSEMBLY INSTRUCTION

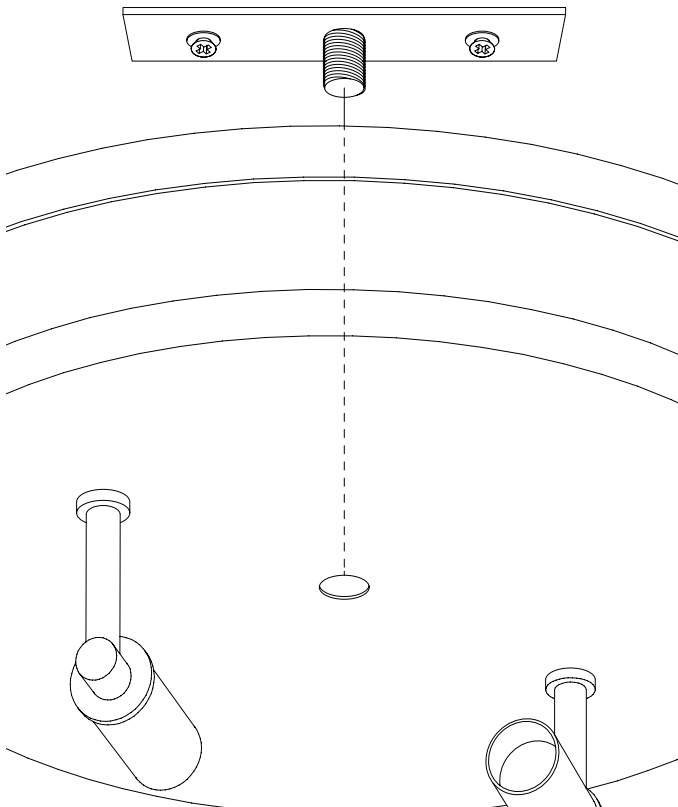
- 1** Turn off the electricity supply at the main circuit panel before installing. Do not connect the electricity supply until your luminaire is fully assembled and installed. Fix the ceiling bracket to the ceiling by using ceiling mounting plugs and screws suitable to your ceiling.



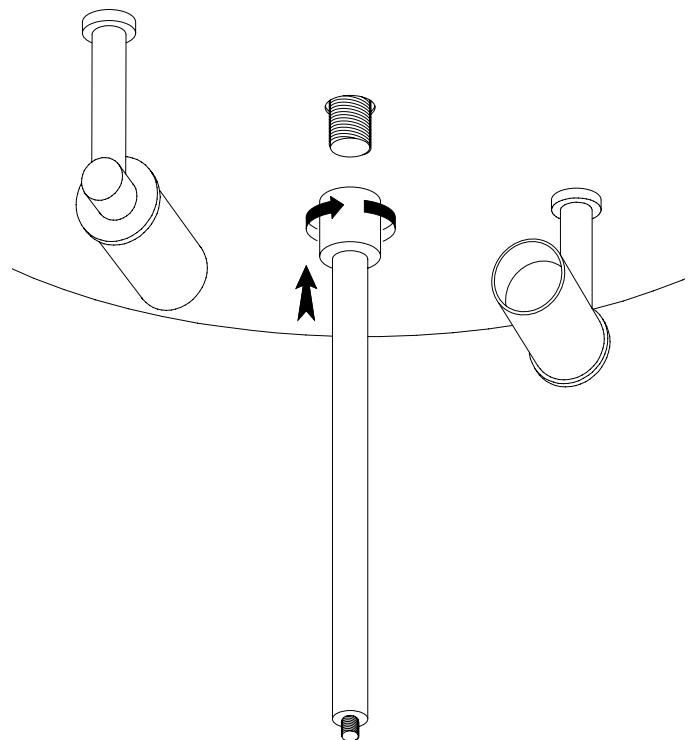
- 2** Connect the 3 wires according to their colours. Brown is the live wire, blue is the neutral wire, green/yellow is the earth wire.



- 3** Slide the base of the lamp over the ceiling bracket and hold it in place.



- 4** Screw the rod on the ceiling bracket and tighten it until the base of the lamp is secure.



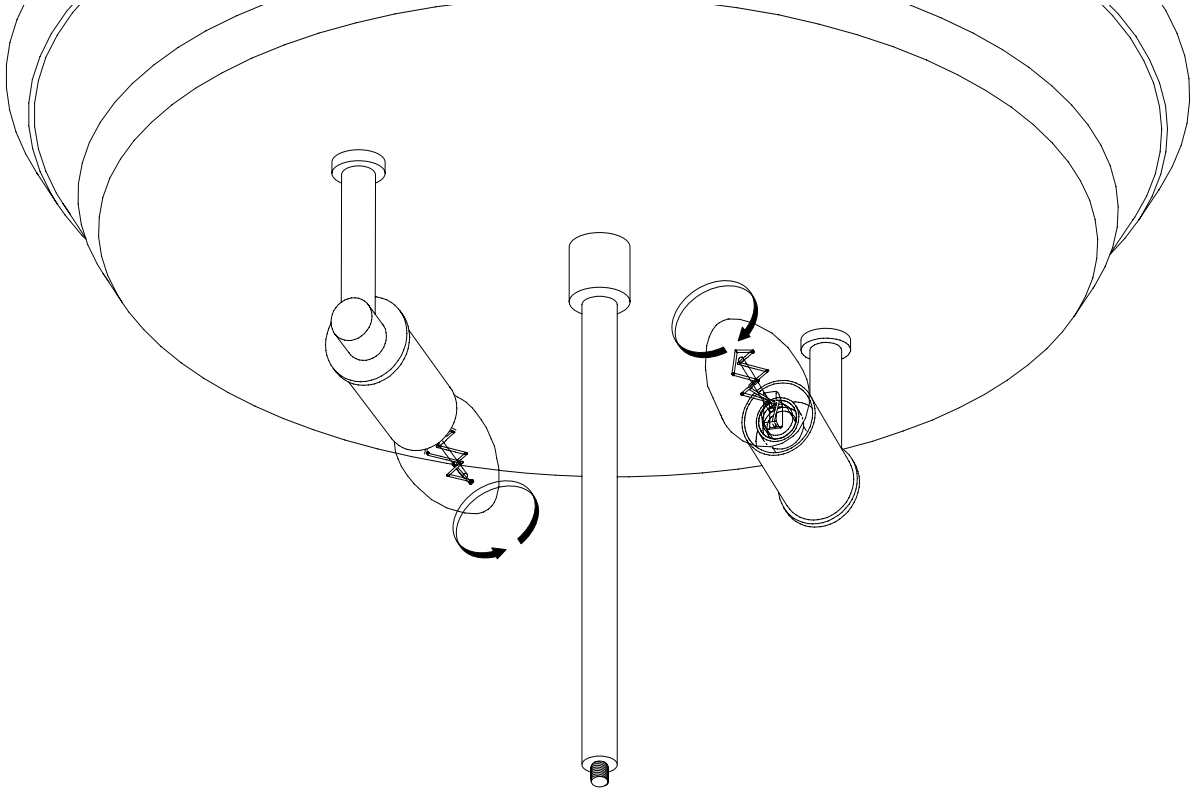


E I C H H O L T Z

109133 CEILING LAMP KASBAH

ASSEMBLY INSTRUCTION

- 5 Place the bulbs in the lamp holders before installing the front cover.



- 6 Carefully slide the front cover over the rod. While holding the front cover in position, fix the knob on the mounting rod and tighten it firmly.

